



**Panel Mount Lenses for T-1 3/4 (5mm) LEDs**

**DESCRIPTION AND FEATURES**

**Series 4311, 4312, 4313, 4315, 4316, 4317**

- These lenses provide quick and economical panel mounting, plus electrostatic discharge protection, for T-1 3/4 high dome LEDs. Molded-in Fresnel rings spread light evenly, provide wide viewing angle viewing (up to 180°) and bright attractive appearance. Use with narrow-beam LED series 4305H, 4308H and 4310H.

Material: Polycarbonate

Mounting Hole: Snap into Ø.248-.248 hole in panels .060-.130 thick.

MODEL	LENS COLOR
4311	Red
4312	Clear
4313	Amber
4315	Green
4316	Blue
4317	Yellow

**Series 4321, 4323, 4322, 4325, 4326, 4327**

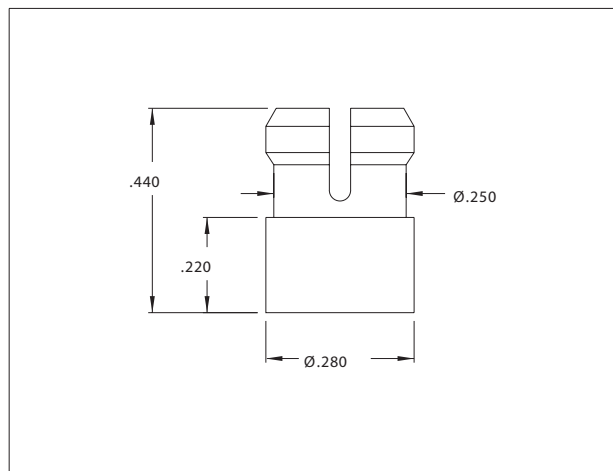
- These lenses provide quick and economical panel mounting, plus electrostatic discharge protection, for T-1 3/4 high dome LEDs. Molded-in Fresnel rings spread light evenly, provide wide viewing angle viewing (up to 180°) and bright attractive appearance. Use with narrow-beam LED series 4305H, 4308H and 4310H.

Material: Polycarbonate

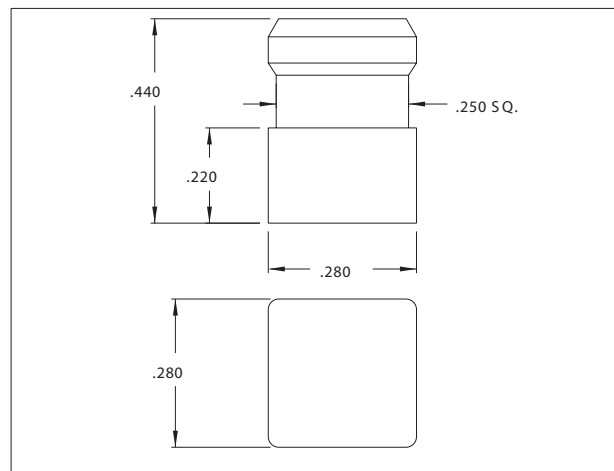
Mounting Hole: Snap into .248-.248 square hole in panels .060-.130 thick. Square lenses may also be gang mounted in slotted hole .280 times number of lenses minus .030 long.

MODEL	LENS COLOR
4321	Red
4322	Clear
4323	Amber
4325	Green
4326	Blue
4327	Yellow

**OUTLINE DIMENSIONS**



**OUTLINE DIMENSIONS**



All dimensions in inches.